



www.FixMyBlinds.com

Installation Instructions for Roman Shade Cord Locks and Idlers

*** We suggest stringing the cord lock before mounting on the board.

- The cord lock is designed to work with the following string sizes: 0.9mm, 1.2mm, 1.4mm and 1.8mm.
- The maximum number of lift cords per cord lock is ten. If more than ten lift cords are needed, add a second cord lock in front or behind the first one.
- Maximum shade weight is 22 pounds (not including the weight of the headrail or dust board).
- The cord lock can be mounted on the right or left side of the shade and swivels forward and backward for smoother operation.
- For heavier shades, use cord idlers instead of screw eyes.

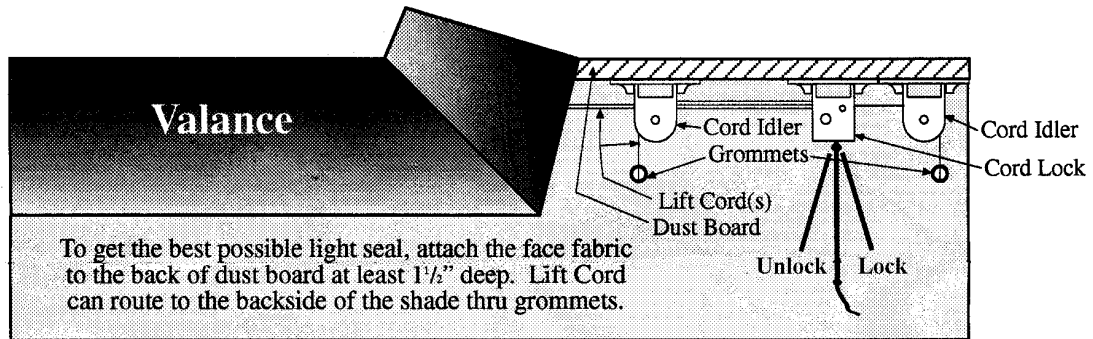


Figure 1 (View from front of shade)

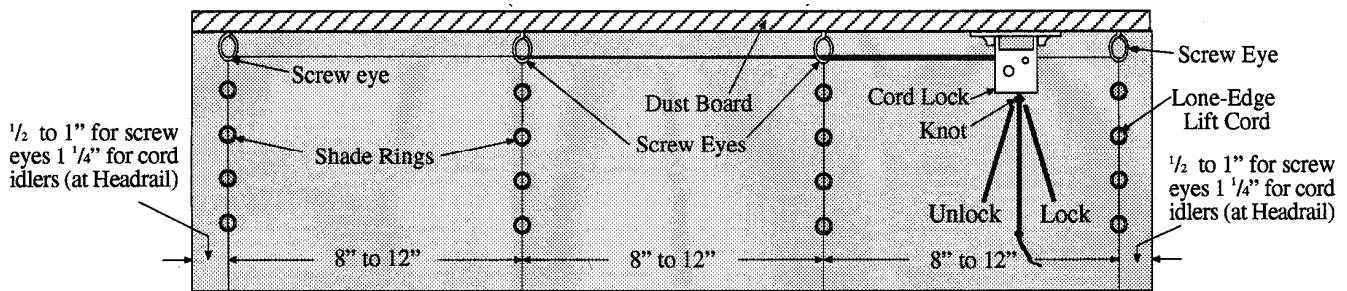


Figure 2 (View from backside of shade)

Stringing the Cord Lock:

Figure 1 shows a typical shade. When arranging placement of rings, try to achieve a typical space of 8-12 inches between rows of rings (Figure 2). Use one lift cord for each row of rings. Almost every lift cord will be a different length, so measure each one. Add an extra foot or two to each cord before cutting. You can trim off the extra later. String the cord lock before mounting to the board. String the lone edge lift cord through the center slot in the guide wires, over the small wheel and out the smaller opening of the cord lock. String the other lift cords using the other slots of the guide wires trying to keep the same number of cords per slot. If one or more slots must have a higher number of cords, it is best to use those slots located in the middle. After stringing through the slots, other lift cords go over the large wheel and out the larger side opening. We recommend threading the cord lock from the bottom of the cord lock with the brass roller on the bottom as shown in Figure 3. If this is too difficult, feel free to try threading from the top. Using small tweezers may also be helpful. After completely stringing the lift cords through the cord lock, mount the cord lock to the dust board. Do not spray the cord lock with any lubricants or silicone spray. Route all the lift cords through the screw eyes and rings. Securely tie each lift cord to the bottom ring of each row. When the shade is all the way down, knot all the lift cords together as close as possible to the cord lock. This will help the shade travel up and down evenly and prevent the lift cords from tangling inside the cord lock. Trim off excess cords below where the operator would need to grab when lifting the shade to reduce child strangulation hazards. Use cord condensers and cleats to stow the cords out of the reach of children.

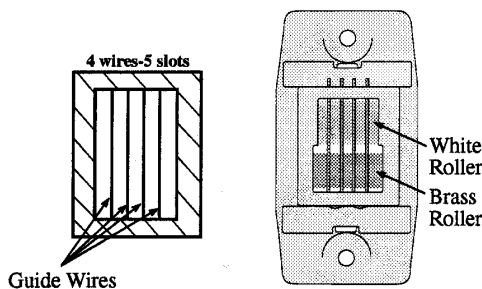


Fig 3 Bottom View

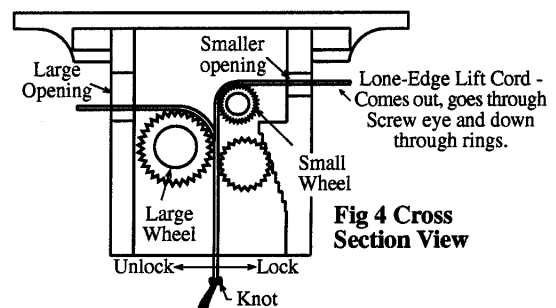


Fig 4 Cross Section View